

**CLUTCH PEDAL and CONTROL ROD INSTALLATION  
(USE WITH STANDARD TRANSMISSION)**

ILLUSTRATION No. 32



### CLUTCH PEDAL and CONTROL ROD INSTALLATION (USE WITH STANDARD TRANSMISSION)

Illus. Key	Part No.	Description	No. Req'd.
32-1	189679	BOLT - Support Assembly To Clutch And Brake Pedal (Use With Standard Transmission)	1
32-2	118776	WASHER - Support Assembly To Clutch And Brake Pedal Bolt Plain	1
32-3	92403	BOSS - Clutch Pedal Shaft	1
32-4	92415	RACE - Clutch Pedal Bearing	1
32-5	92414	BEARING - Clutch Pedal	1
32-6	271290	FITTING - Clutch Pedal Lubrication	1
32-7	92409	PEDAL ASSEMBLY - Clutch	1
32-8	92414	BEARING - Clutch Pedal	1
32-9	115314	WASHER - Support Assembly To Clutch And Brake Pedal Bolt Lock	1
32-10	271507	NUT - Support Assembly To Clutch And Brake Pedal Bolt	1
32-11	24443	PAD - Clutch Pedal	1
32-12	116120	WASHER - Clutch Pedal Pad Mounting Lock	1
32-13	115729	NUT - Clutch Pedal Pad Mounting	1
32-14	103373	PIN - Clutch Pedal To Bellcrank Rod Clevis Pin Cotter	1
32-15	114785	PIN - Clutch Pedal To Bellcrank Rod Clevis	1
32-16	144254	CLEVIS - Clutch Pedal To Bellcrank Rod	1
32-17	118625	NUT - Clutch Pedal To Bellcrank Rod Clevis Jam	1
32-18	92430	ROD - Clutch Pedal To Bellcrank	1
32-19	103373	PIN - Bellcrank To Bellcrank Rod Cotter	1
32-20	118774	WASHER - Bellcrank To Bellcrank Rod Plain	1
32-21	115729	NUT - Clutch Pedal Return Spring Anchor To Support Assembly Bolt	1



### CLUTCH PEDAL and CONTROL ROD INSTALLATION (USE WITH STANDARD TRANSMISSION)

Illus. Key	Part No.	Description	No. Req'd.
32-1	189679	BOLT - Support Assembly To Clutch And Brake Pedal (Use With Standard Transmission)	1
32-2	118776	WASHER - Support Assembly To Clutch And Brake Pedal Bolt Plain	1
32-3	92403	BOSS - Clutch Pedal Shaft	1
32-4	92415	RACE - Clutch Pedal Bearing	1
32-5	92414	BEARING - Clutch Pedal	1
32-6	271290	FITTING - Clutch Pedal Lubrication	1
32-7	92409	PEDAL ASSEMBLY - Clutch	1
32-8	92414	BEARING - Clutch Pedal	1
32-9	115314	WASHER - Support Assembly To Clutch And Brake Pedal Bolt Lock	1
32-10	271507	NUT - Support Assembly To Clutch And Brake Pedal Bolt	1
32-11	24443	PAD - Clutch Pedal	1
32-12	116120	WASHER - Clutch Pedal Pad Mounting Lock	1
32-13	115729	NUT - Clutch Pedal Pad Mounting	1
32-14	103373	PIN - Clutch Pedal To Bellcrank Rod Clevis Pin Cotter	1
32-15	114785	PIN - Clutch Pedal To Bellcrank Rod Clevis	1
32-16	144254	CLEVIS - Clutch Pedal To Bellcrank Rod	1
32-17	118625	NUT - Clutch Pedal To Bellcrank Rod Clevis Jam	1
32-18	92430	ROD - Clutch Pedal To Bellcrank	1
32-19	103373	PIN - Bellcrank To Bellcrank Rod Cotter	1
32-20	118774	WASHER - Bellcrank To Bellcrank Rod Plain	1
32-21	115729	NUT - Clutch Pedal Return Spring Anchor To Support Assembly Bolt	1

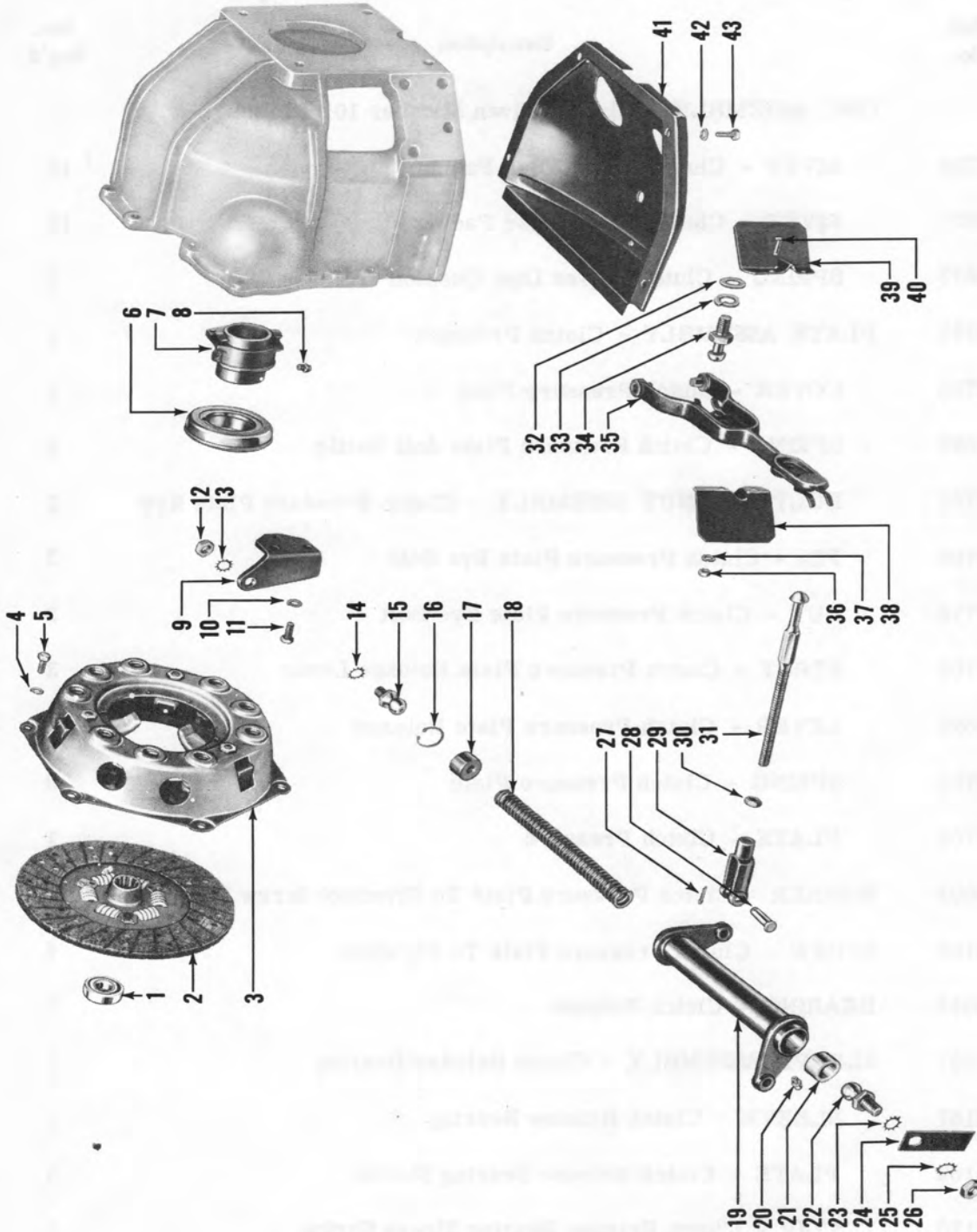


**CLUTCH PEDAL and CONTROL ROD INSTALLATION (cont'd)  
(USE WITH STANDARD TRANSMISSION)**

Illus. Key	Part No.	Description	No. Req'd.
32-22	116120	WASHER - Clutch Pedal Return Spring Anchor To Support Assembly Bolt Lock	1
32-23	121733	BOLT - Clutch Pedal Return Spring Anchor To Support Assembly	1
32-24	121733	BOLT - Clutch Pedal Return Spring Anchor To Support Assembly	1
32-25	116120	WASHER - Clutch Pedal Return Spring Anchor To Support Assembly Bolt Lock	1
32-26	115729	NUT - Clutch Pedal Return Spring Anchor To Support Assembly Bolt	1
32-27	92641	ANCHOR ASSEMBLY - Clutch Pedal Return Spring	1
32-28	70636	HOOK - Clutch Pedal Return Spring	1
32-29	70637	SPRING - Clutch Pedal Over Center Return	1
32-30	70196	BOLT - Clutch Pedal Return Spring Adjusting	1
32-31	115729	NUT - Clutch Pedal Return Spring Adjusting Bolt	1
32-32	118624	NUT - Clutch Pedal Return Spring Adjusting Bolt Jam	1
32-33	92407	INSULATOR - Clutch Pedal Stop	1

**CLUTCH and RELEASE BEARING CONTROLS INSTALLATION  
(USE WITH STANDARD TRANSMISSION)**

33-1	80041	BEARING - Clutch Pilot	1
33-2	81126	DISC ASSEMBLY - Clutch Driven Member 10''	1
	62707	LINING - Clutch .140''	1
	63666	LINING - Clutch .125'' Forward Side	1



**CLUTCH and RELEASE BEARING CONTROLS INSTALLATION  
(USE WITH STANDARD TRANSMISSION)**

ILLUSTRATION No. 33



**CLUTCH and RELEASE BEARING CONTROLS INSTALLATION (cont'd)**  
**(USE WITH STANDARD TRANSMISSION)**

Illus. Key	Part No.	Description	No. Req'd.
		DISC ASSEMBLY - Clutch Driven Member 10'' (Cont'd)	
	62708	RIVET - Clutch Driven Disc Facing	18
	62677	RIVET - Clutch Driven Disc Facing	18
	63677	SPRING - Clutch Driven Disc Cushion	6
33-3	80225	PLATE ASSEMBLY - Clutch Pressure	1
	62700	COVER - Clutch Pressure Plate	1
	62696	SPRING - Clutch Pressure Plate Anti Rattle	3
	62702	BOLT AND NUT ASSEMBLY - Clutch Pressure Plate Eye	3
	62709	PIN - Clutch Pressure Plate Eye Bolt	3
	62710	NUT - Clutch Pressure Plate Eye Bolt	3
	62703	STRUT - Clutch Pressure Plate Release Lever	3
	62699	LEVER - Clutch Pressure Plate Release	3
	62705	SPRING - Clutch Pressure Plate	9
	62706	PLATE - Clutch Pressure	1
33-4	115093	WASHER - Clutch Pressure Plate To Flywheel Screw Lock	6
33-5	80193	SCREW - Clutch Pressure Plate To Flywheel	6
33-6	80043	BEARING - Clutch Release	1
33-7	81267	SLEEVE ASSEMBLY - Clutch Release Bearing	1
	80167	SLEEVE - Clutch Release Bearing	1
	80169	PLATE - Clutch Release Bearing Sleeve	1
	80170	CLIP - Clutch Release Bearing Sleeve Spring	1
	102669	RIVET - Clutch Release Bearing Sleeve Spring Clip	2
33-8	111595	FITTING - Clutch Release Bearing Sleeve Lubrication	1



## CLUTCH and RELEASE BEARING CONTROLS INSTALLATION (cont'd) (USE WITH STANDARD TRANSMISSION)

Illus. Key	Part No.	Description	No. Req'd.
33-9	80132	BRACKET - Clutch Release Bellcrank To Clutch And Flywheel Housing	1
33-10	115093	WASHER - Clutch Release Bellcrank Bracket To Clutch And Flywheel Housing Bolt Lock	3
33-11	122135	BOLT - Clutch Release Bellcrank Bracket To Clutch And Flywheel Housing	3
33-12	272125	NUT - Clutch Release Bellcrank Pivot Ball	1
33-13	138493	WASHER - Clutch Release Bellcrank Pivot Ball External Tooth Lock	1
33-14	138493	WASHER - Clutch Release Bellcrank Pivot Ball External Tooth Lock	1
33-15	80125	BALL - Clutch Release Bellcrank Pivot	1
33-16	80124	RING - Clutch Release Bellcrank Bushing Retaining	1
33-17	80129	BUSHING - Clutch Release Bellcrank	1
33-18	92428	SPRING - Clutch Release Bellcrank Bushing	1
33-19	92426	BELLCRANK ASSEMBLY - Clutch Release	1
33-20	271287	FITTING - Clutch Release Bellcrank Lubrication	1
33-21	80129	BUSHING - Clutch Release Bellcrank	1
33-22	80125	BALL - Clutch Release Bellcrank Pivot	1
33-23	138493	WASHER - Clutch Release Bellcrank Pivot Ball External Tooth Lock	1
33-24	80520	RETAINER - Clutch Release Bellcrank Pivot Ball Outer	1
33-25	138493	WASHER - Clutch Release Bellcrank Pivot Ball External Tooth Lock	1
33-26	272125	NUT - Clutch Release Bellcrank Pivot Ball	1
33-27	103373	PIN - Clutch Release Bellcrank To Yoke Rod Clevis Pin Cotter	1



**CLUTCH and RELEASE BEARING CONTROLS INSTALLATION (cont'd)**  
**(USE WITH STANDARD TRANSMISSION)**

Illus. Key	Part No.	Description	No. Req'd.
33-28	114785	PIN - Clutch Release Bellcrank To Yoke Rod Clevis	1
33-29	144254	CLEVIS - Clutch Release Yoke Rod Adjustable	1
33-30	118625	NUT - Clutch Release Yoke Rod Clevis Jam	1
33-31	80135	ROD ASSEMBLY - Clutch Release Yoke	1
33-32	118777	WASHER - Clutch Release Yoke Ball Stud Plain	1
33-33	116121	WASHER - Clutch Release Yoke Ball Stud Lock	1
33-34	70054	STUD - Clutch Release Yoke Ball	1
33-35	80288	YOKE ASSEMBLY - Clutch Release	1
	80094	YOKE - Clutch Release	1
	70052	PIN - Clutch Release Yoke	2
	80128	SPRING - Clutch Release Yoke Ball	2
	106883	RIVET - Clutch Release Yoke Ball Spring To Yoke	2
	81601	FITTING - Clutch Release Yoke Lubrication	1
33-36	116000	NUT - Clutch Release Yoke To Stone Shield Screw	2
33-37	115707	WASHER - Clutch Release Yoke To Stone Shield Screw Lock	2
33-38	81206	SHIELD - Clutch Release Yoke Stone	1
33-39	81206	SHIELD - Clutch Release Yoke Stone	1
33-40	119861	SCREW - Clutch Release Yoke To Stone Shield	2
33-41	92949	PAN ASSEMBLY - Clutch And Flywheel Housing	1
33-42	115109	WASHER - Clutch And Flywheel Housing Pan Assembly Mounting Bolt Lock	4
33-43	119860	BOLT - Clutch And Flywheel Housing Pan Assembly Mounting	4