

**GROUP 7 - STEERING**  
**STEERING PUMP MOUNTING - 6 CYLINDER**

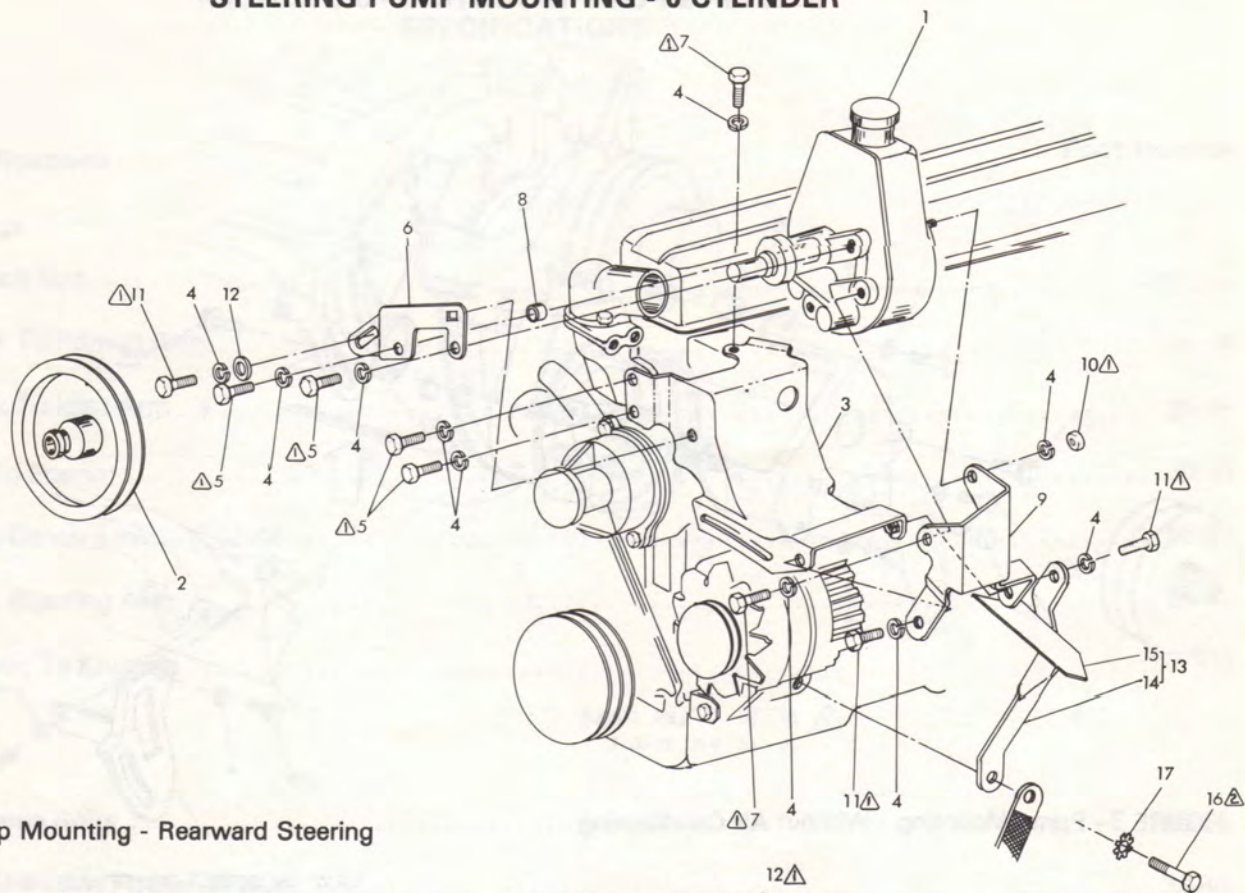


FIGURE 1—Pump Mounting - Rearward Steering

1 15 - 20 FT. LBS. TORQUE  
 (11 - 15 N.m TORQUE)

2 20 - 27 FT. LBS. TORQUE  
 15 - 20 N.m TORQUE

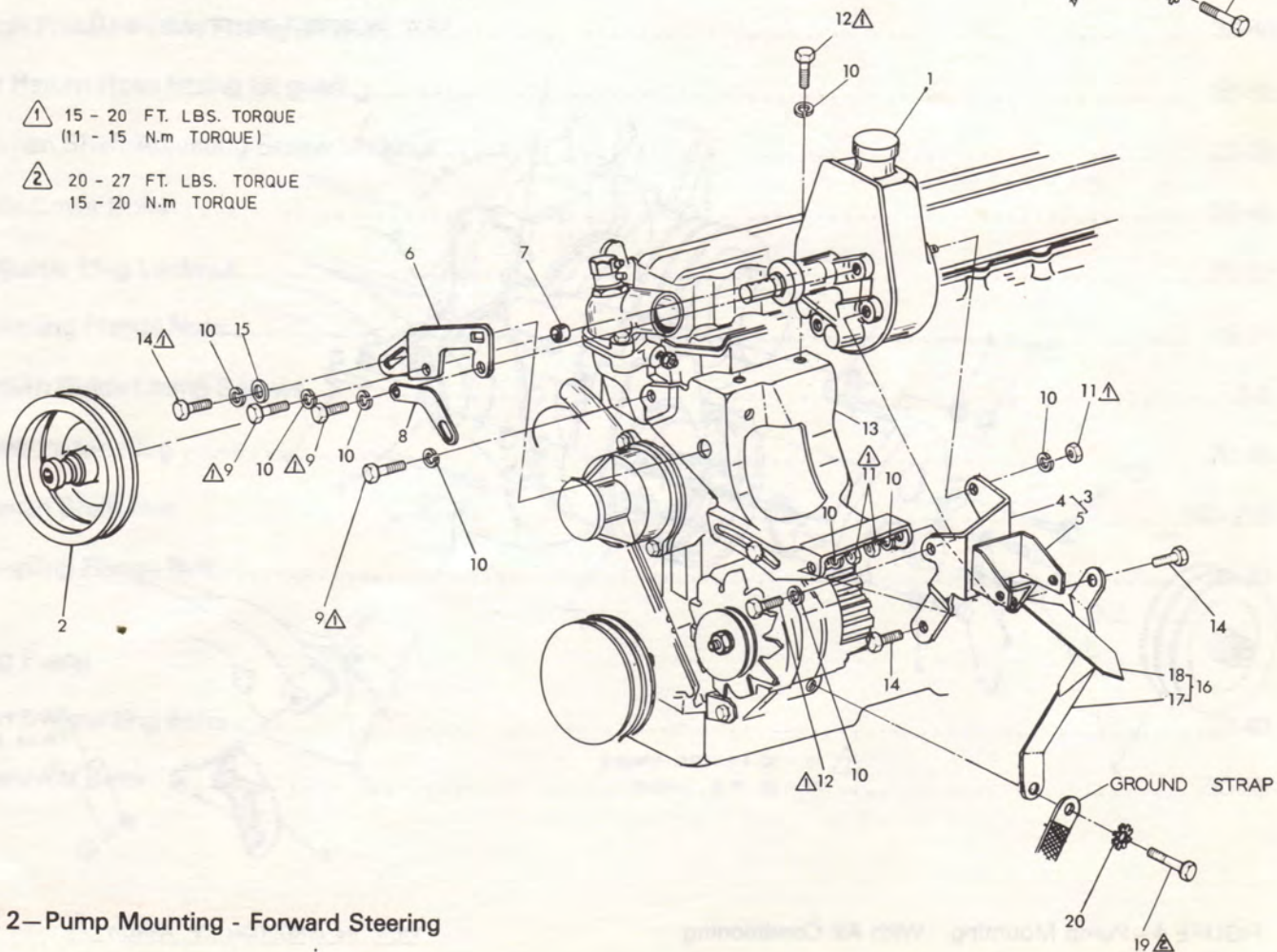
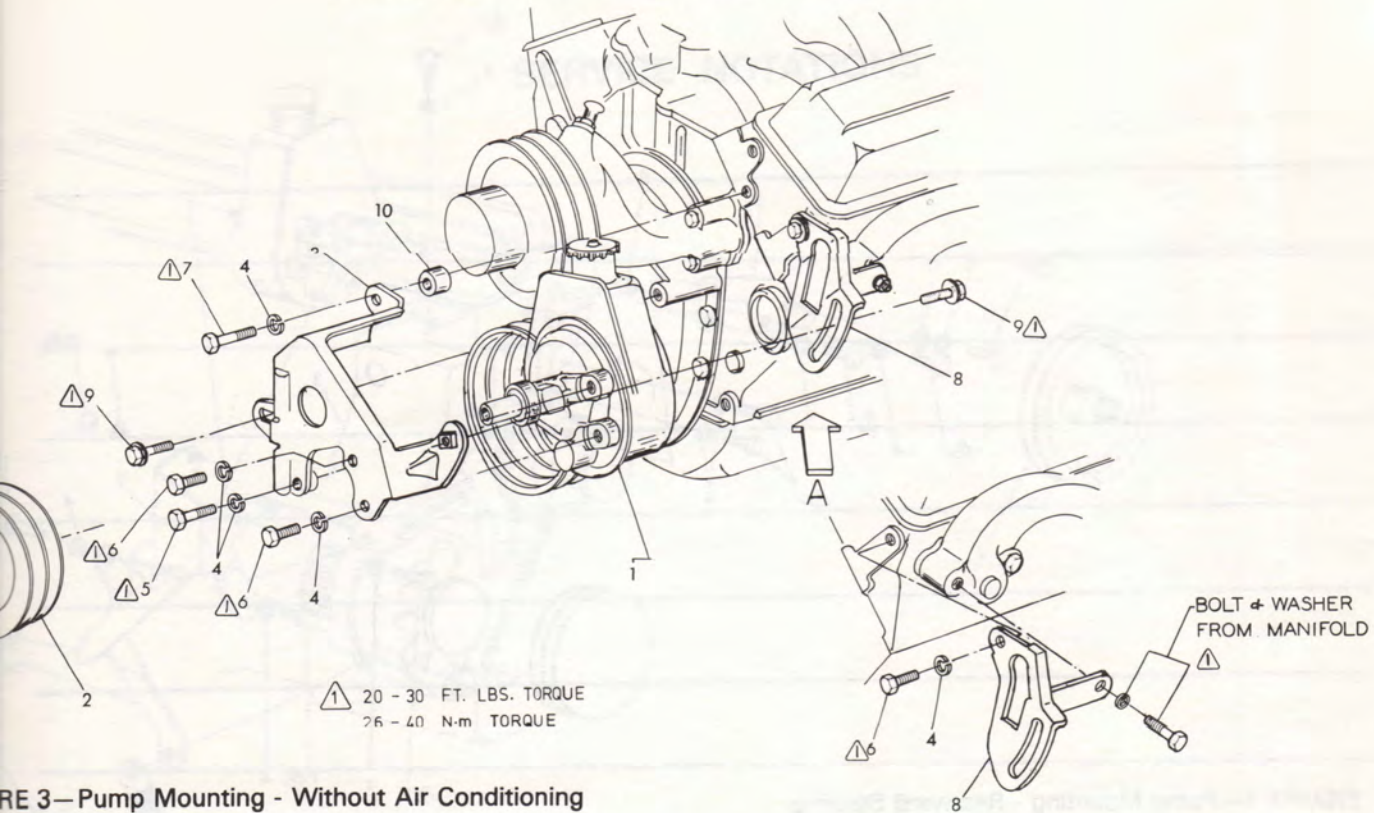


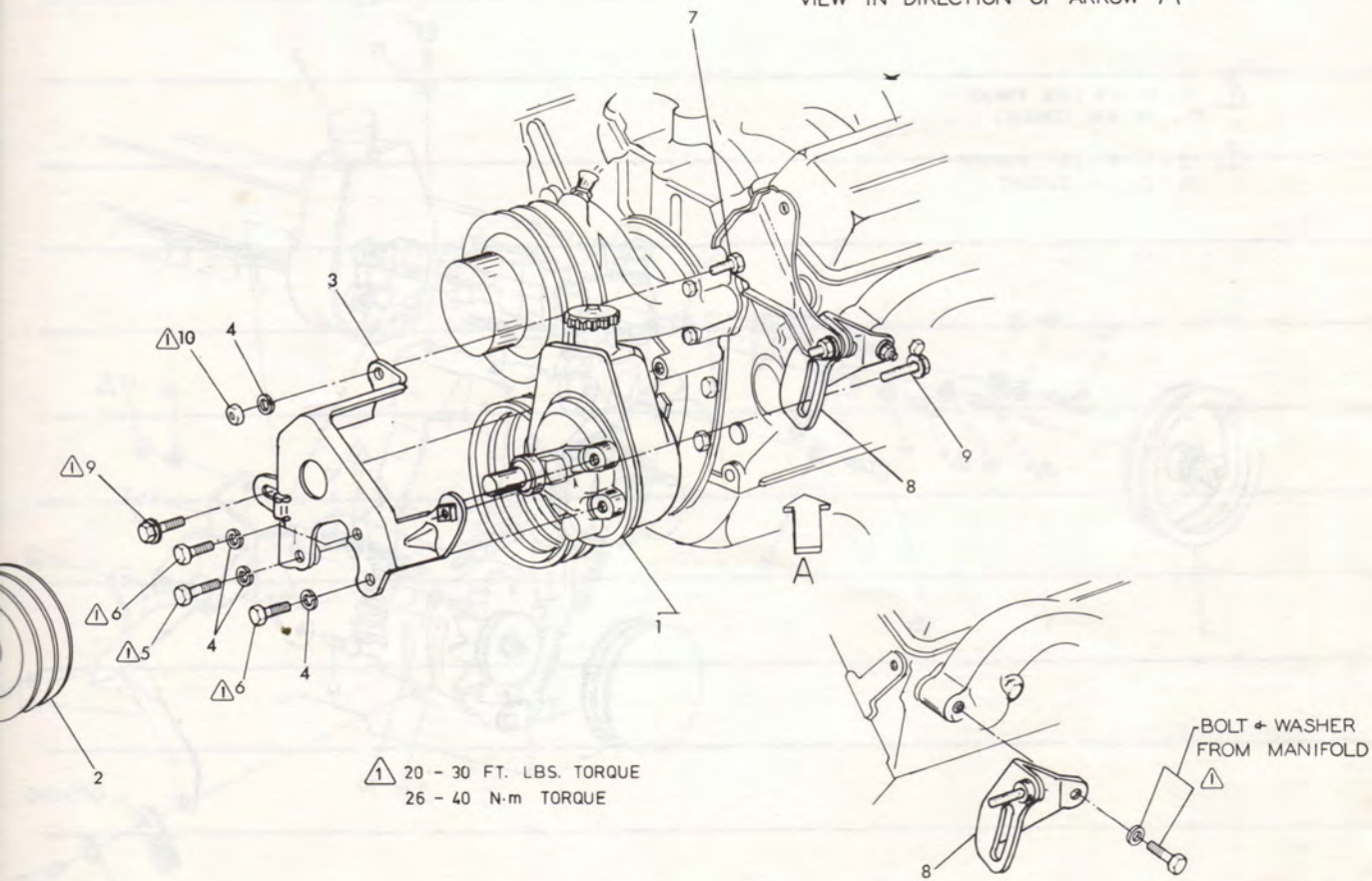
FIGURE 2—Pump Mounting - Forward Steering

**GROUP 7 - STEERING**  
**STEERING PUMP MOUNTING - 8 CYLINDER**



**FIGURE 3—Pump Mounting - Without Air Conditioning**

VIEW IN DIRECTION OF ARROW A



**FIGURE 4—Pump Mounting - With Air Conditioning**

VIEW IN DIRECTION OF ARROW A

## GROUP 7 — STEERING

## SPECIFICATIONS

Torque Specifications	Foot-Pounds
<b>Steering Linkage</b>	
Pitman Shaft Nut .....	160-210
Center Link To Pitman Arm .....	35-55
Center Link To Idler Arm .....	35-55
Idler Arm To Frame .....	30-35
Tie Rod To Center Link .....	55-80
Tie Rod To Steering Arm .....	55-80
Steering Arm To Knuckle .....	90-103
<b>Steering Gear</b>	
Gear To Frame Bolts .....	50-60
High Pressure Hose Fitting (at gear) .....	30-40
Oil Return Hose Fitting (at gear) .....	30-40
Pitman Shaft Adjusting Screw Locknut .....	25-35
Side Cover Bolts .....	35-45
Adjuster Plug Locknut .....	70-80
Coupling Flange Nuts .....	15-20
Return Guide Clamp Screws .....	3-5
Rack-Piston Plug .....	70-75
Pitman Shaft Nut .....	160-210
Coupling Flange Bolt .....	25-30
<b>Steering Pump</b>	
Pump Mounting Bolts .....	30-40
Reservoir Bolts .....	30-35

**GROUP 7 - STEERING**  
**STEERING PUMP MOUNTING - 6 CYLINDER**

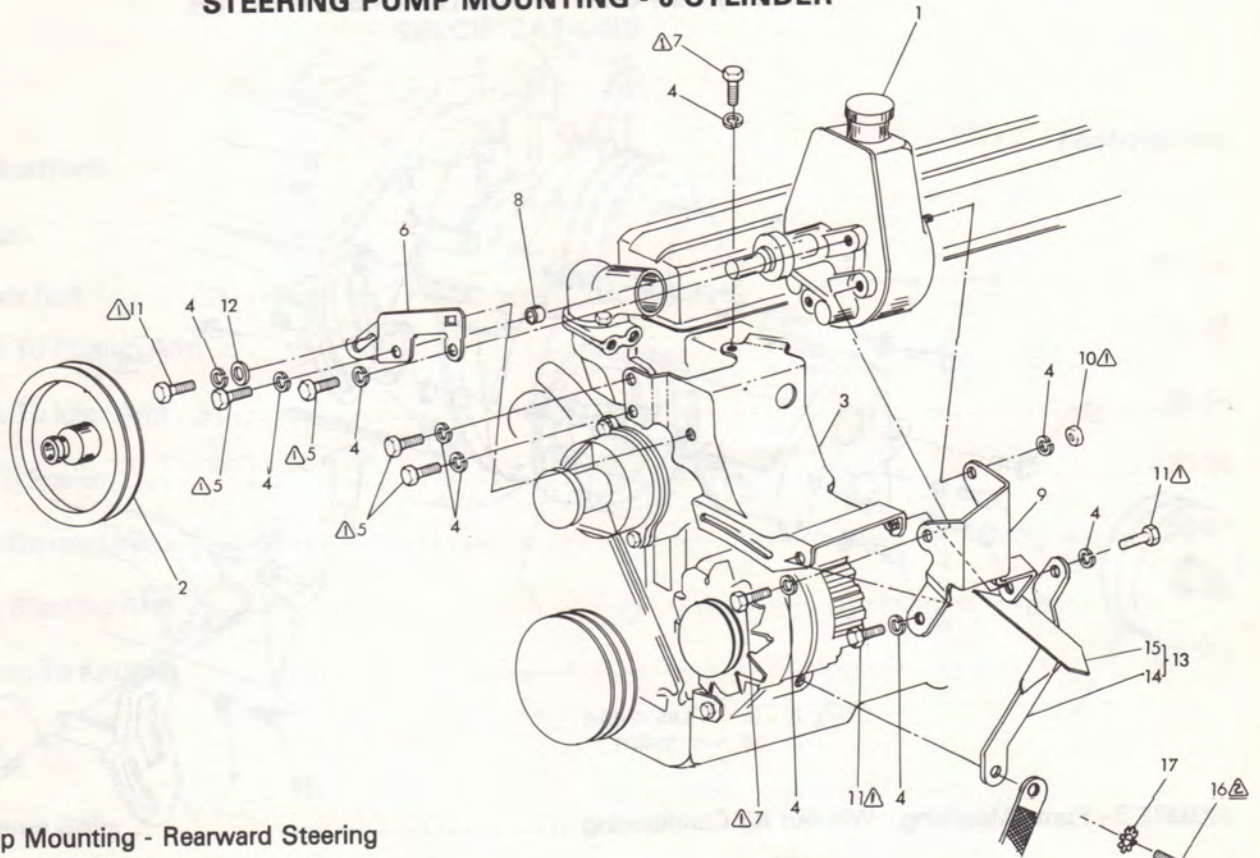


FIGURE 1—Pump Mounting - Rearward Steering

⚠ 15 - 20 FT. LBS. TORQUE  
 (11 - 15 N.m TORQUE)

⚠ 20 - 27 FT. LBS. TORQUE  
 15 - 20 N.m TORQUE

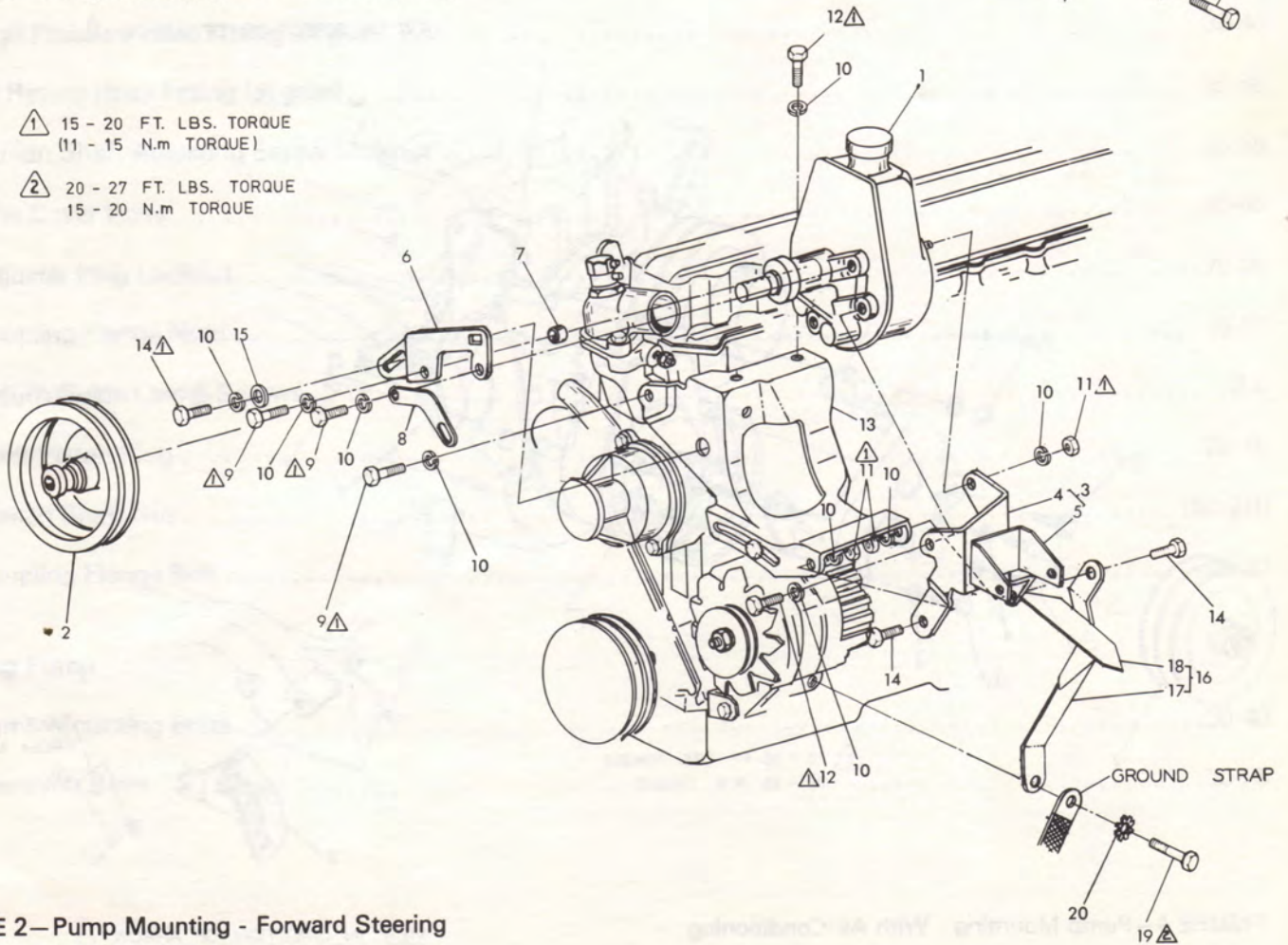


FIGURE 2—Pump Mounting - Forward Steering