

GROUP 7 - STEERING
STEERING PUMP MOUNTING - 6 CYLINDER

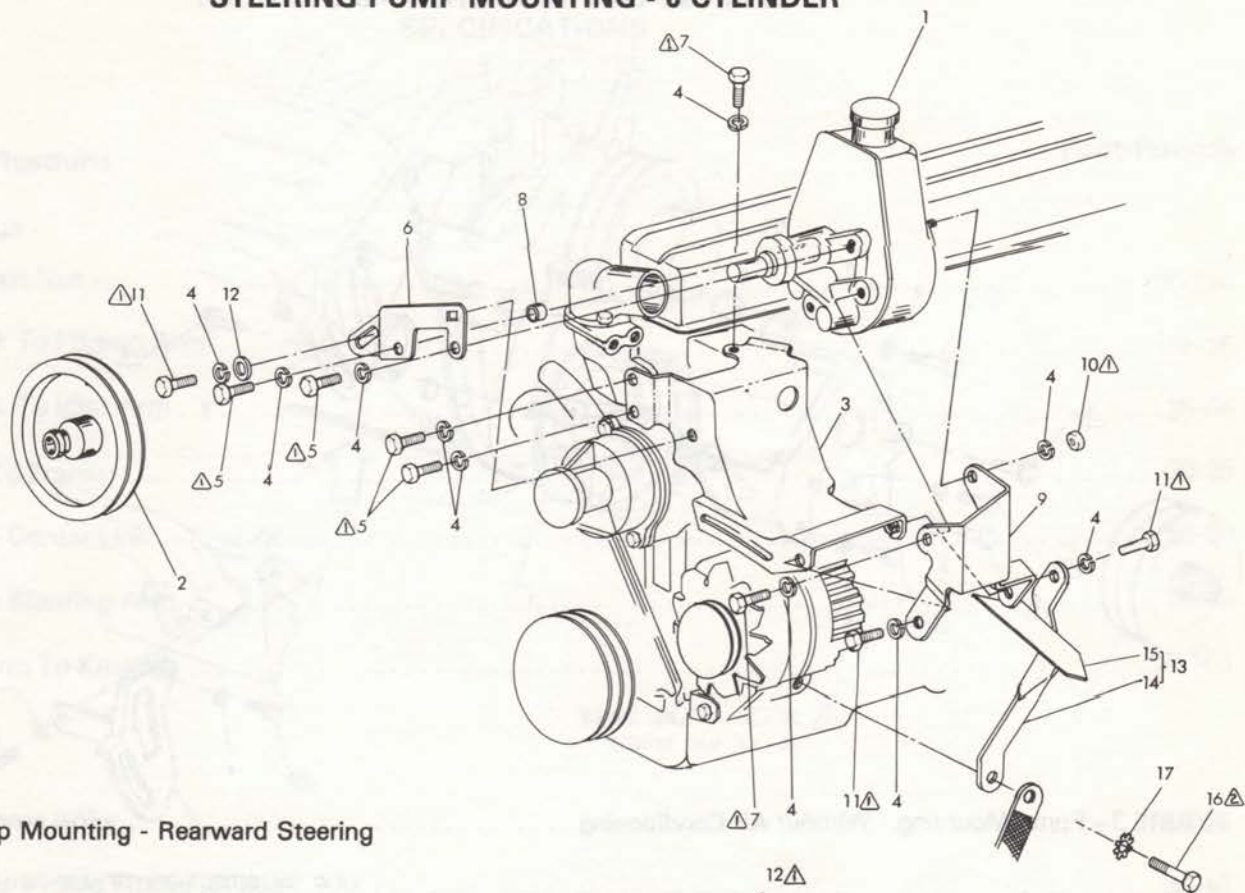


FIGURE 1—Pump Mounting - Rearward Steering

① 15 - 20 FT. LBS. TORQUE
 (11 - 15 N.m TORQUE)

② 20 - 27 FT. LBS. TORQUE
 15 - 20 N.m TORQUE

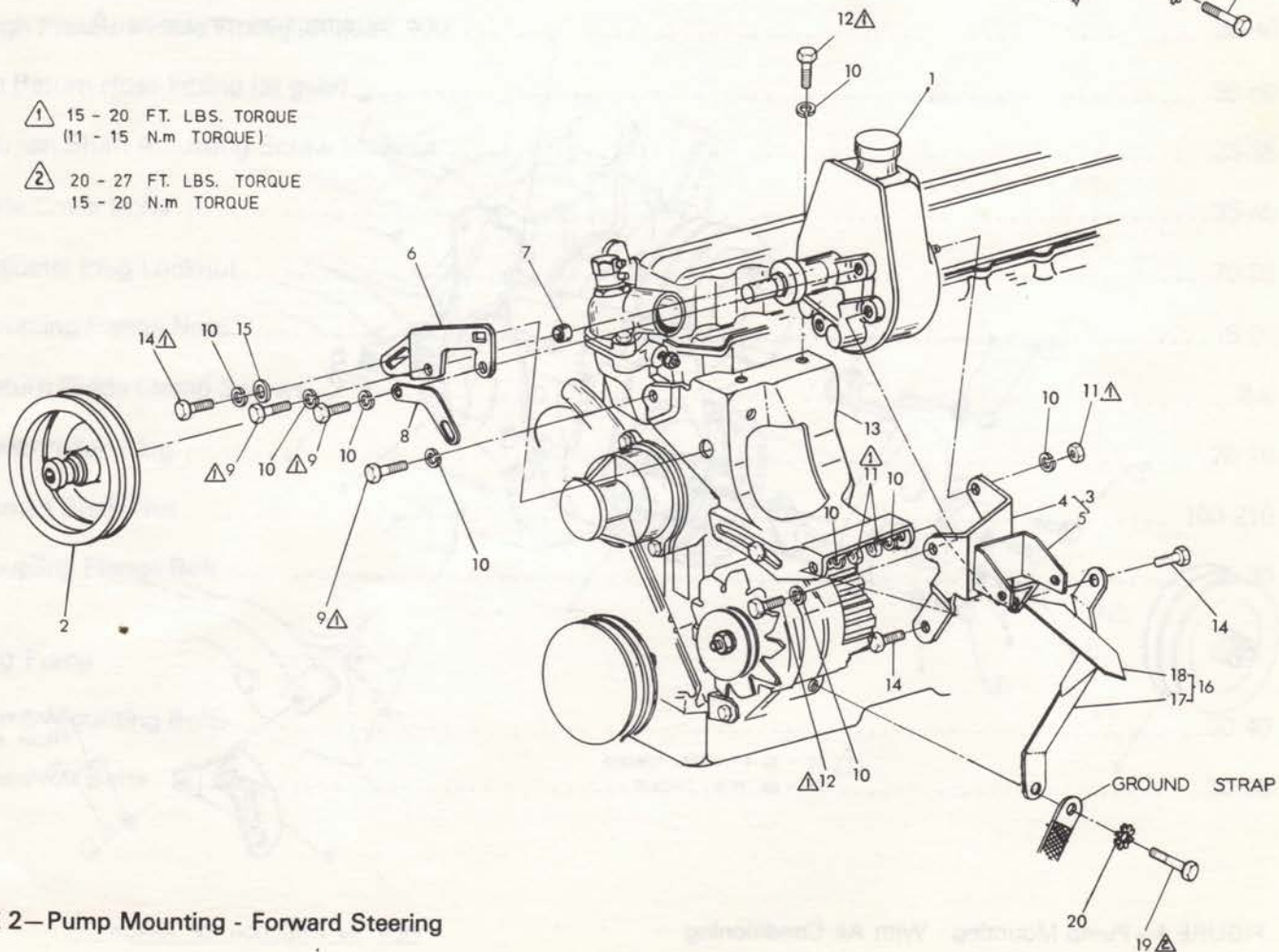


FIGURE 2—Pump Mounting - Forward Steering

GROUP 7 - STEERING
STEERING PUMP MOUNTING - 8 CYLINDER

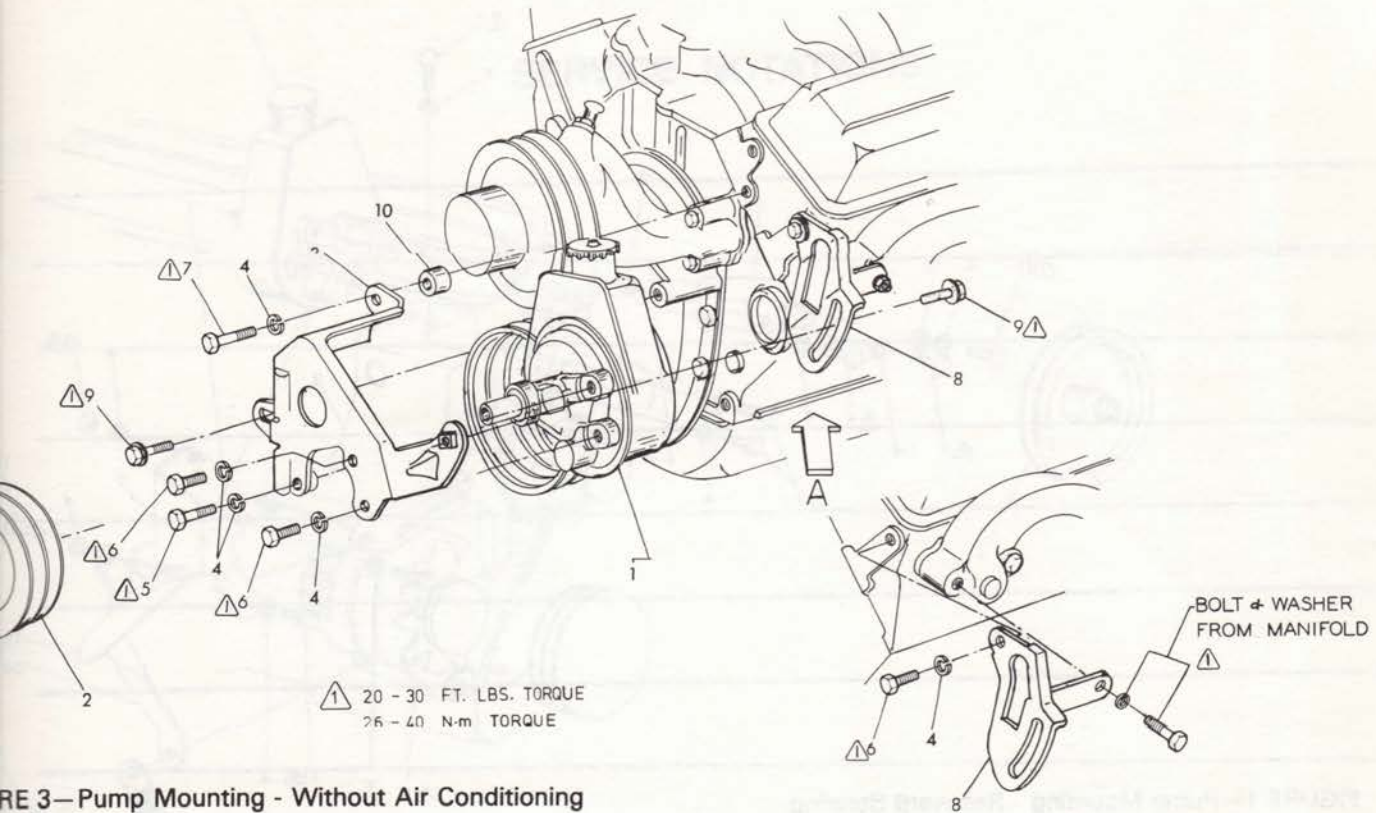


FIGURE 3—Pump Mounting - Without Air Conditioning

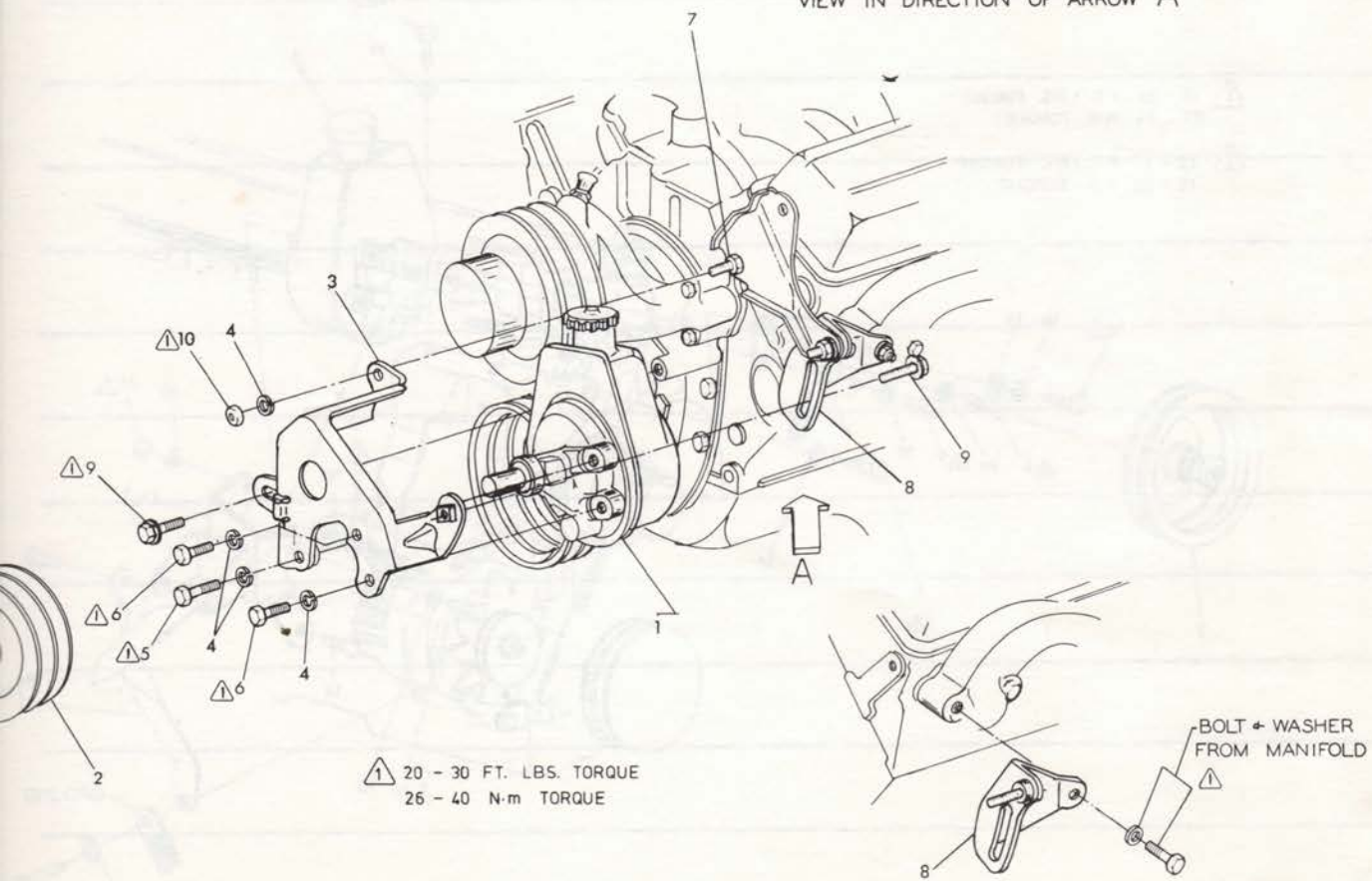


FIGURE 4—Pump Mounting - With Air Conditioning

GROUP 7 — STEERING

SPECIFICATIONS

Torque Specifications

Foot-Pounds

Steering Linkage

Pitman Shaft Nut	160-210
Center Link To Pitman Arm	35-55
Center Link To Idler Arm	35-55
Idler Arm To Frame	30-35
Tie Rod To Center Link	55-80
Tie Rod To Steering Arm	55-80
Steering Arm To Knuckle	90-103

Steering Gear

Gear To Frame Bolts	50-60
High Pressure Hose Fitting (at gear)	30-40
Oil Return Hose Fitting (at gear)	30-40
Pitman Shaft Adjusting Screw Locknut	25-35
Side Cover Bolts	35-45
Adjuster Plug Locknut	70-80
Coupling Flange Nuts	15-20
Return Guide Clamp Screws	3-5
Rack-Piston Plug	70-75
Pitman Shaft Nut	160-210
Coupling Flange Bolt	25-30

Steering Pump

Pump Mounting Bolts	30-40
Reservoir Bolts	30-35

GROUP 7 - STEERING
STEERING PUMP MOUNTING - 6 CYLINDER

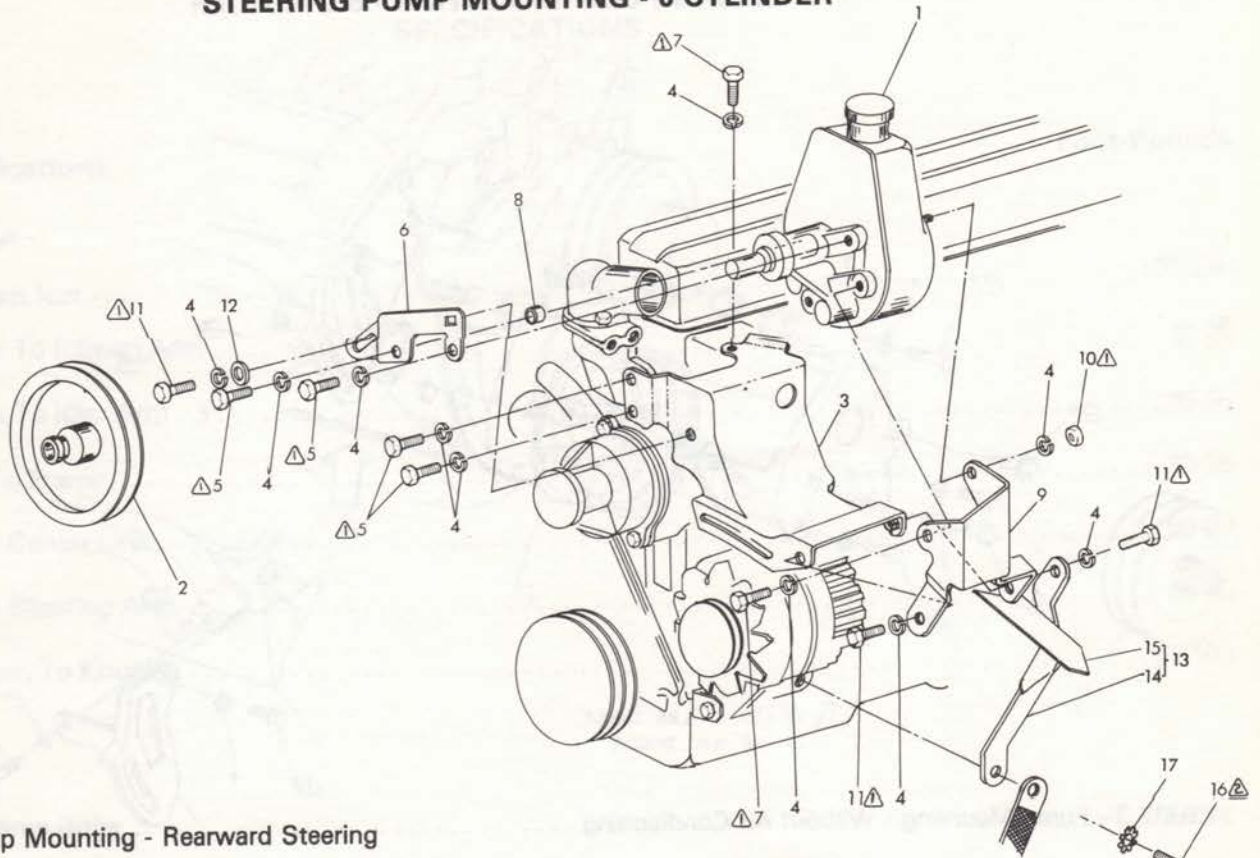


FIGURE 1—Pump Mounting - Rearward Steering

△1 15 - 20 FT. LBS. TORQUE
 (11 - 15 N.m TORQUE)

△2 20 - 27 FT. LBS. TORQUE
 15 - 20 N.m TORQUE

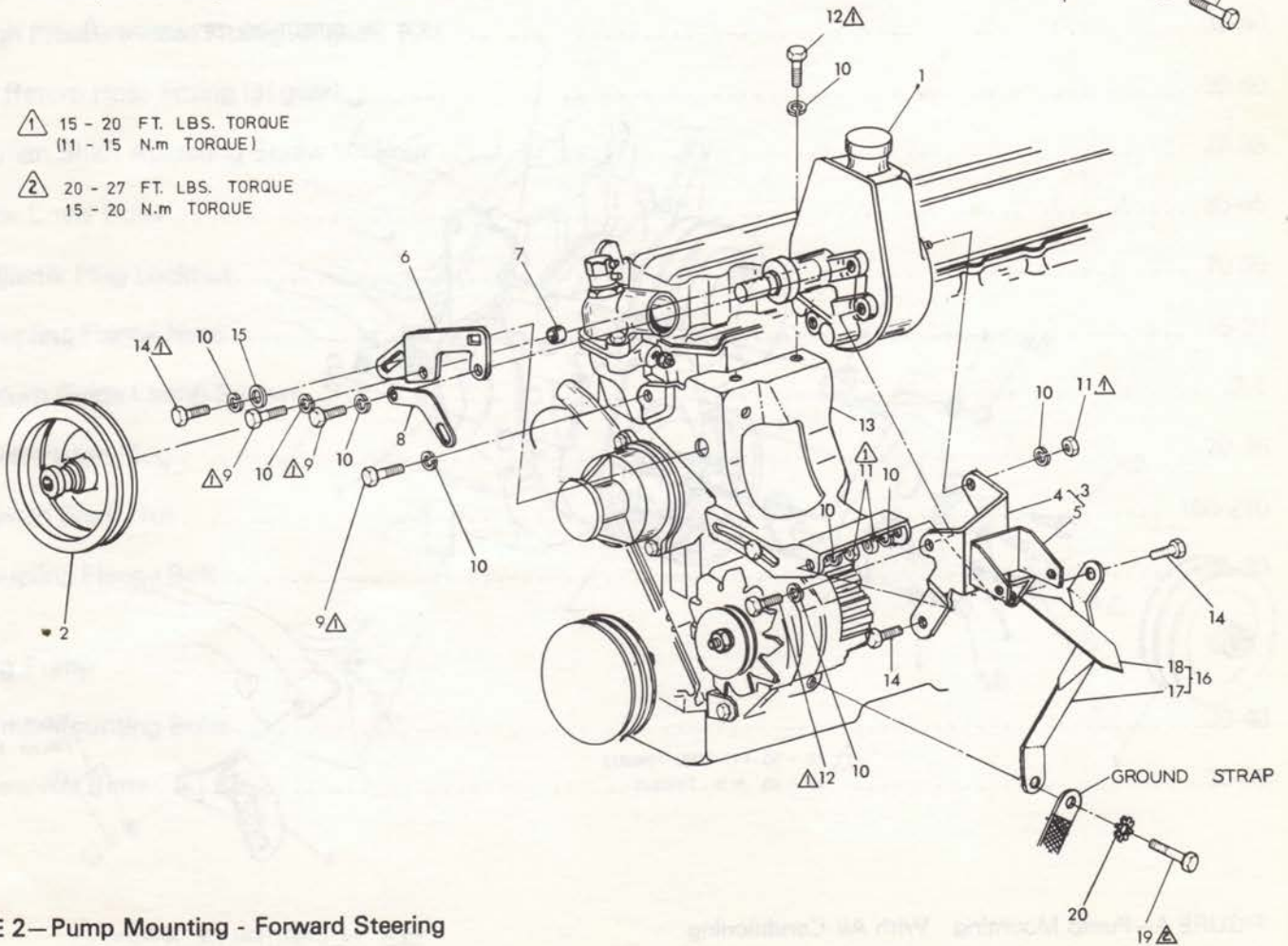


FIGURE 2—Pump Mounting - Forward Steering