

# SERVICE BULLETIN

CAB SERVICE & PARTS CORPORATION

Special #6

SUBSIDIARY OF  
CHECKER MOTORS  
CORPORATION

NEW YORK \* BROOKLINE  
CHICAGO \* DETROIT

January 1, 1959

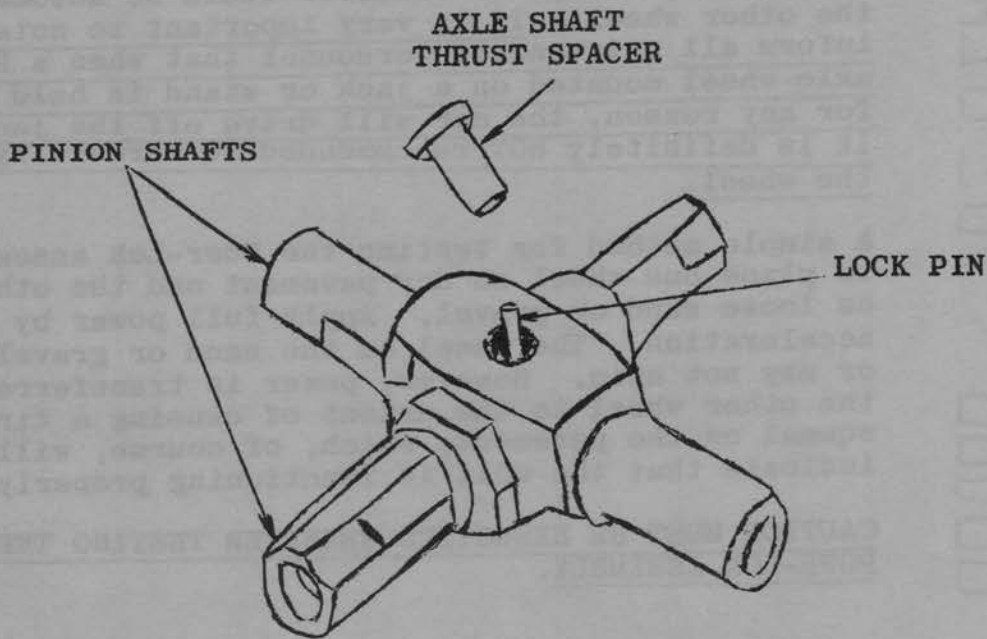
Subject: REAR AXLE ASSEMBLY - MODEL A-9

Description: POWR-LOK AXLE SHAFT THRUST SPACER

Caution should be exercised when removing axle shafts from Powr-Lok assemblies to avoid dislodging the axle shaft thrust spacers from the pinion shaft.

In the event this occurs, and the spacers fall into the housing, the differential assembly must be removed from housing and completely reassembled.

IMPORTANT



By: NEW YORK SERVICE DEPARTMENT