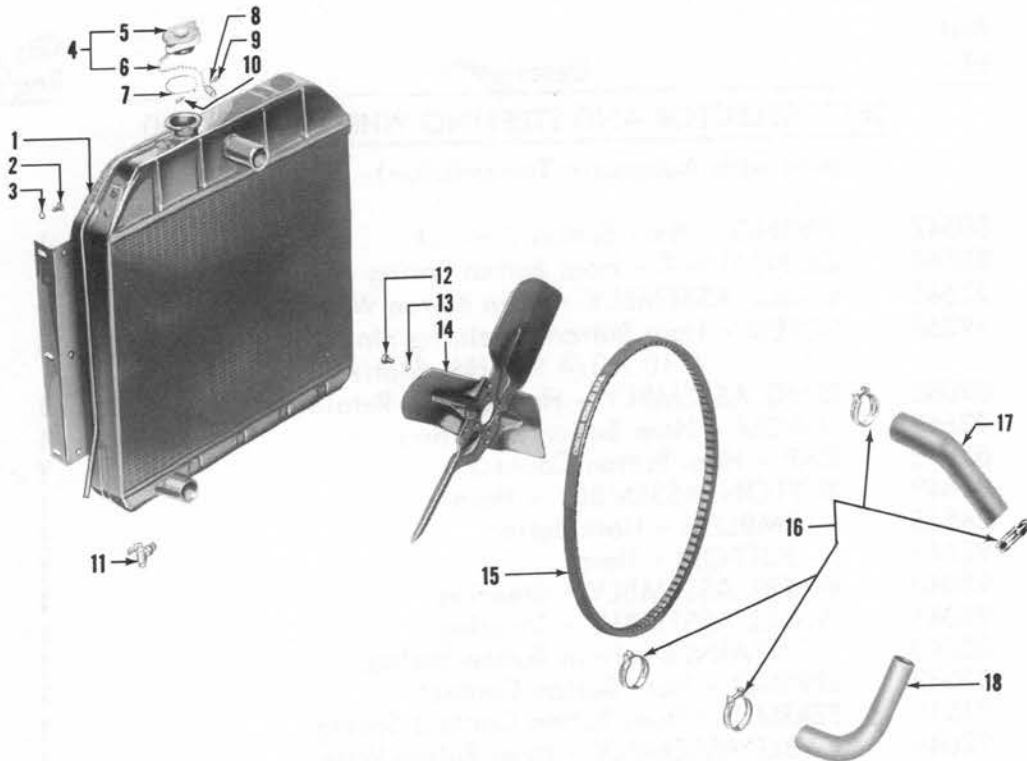


CHECKER MOTORS CORPORATION—PARTS CATALOG

MODELS A9 A9L A10 A10L

GROUP 9

COOLING AND HEATING



RADIATOR ASSEMBLY

Illustration No. 22

Illus. Key	Part No.	Description	Qty Req'd.	Model
<u>RADIATOR ASSEMBLY</u>				
22-1	93931	RADIATOR ASSEMBLY - Engine (Use with Standard Transmission)	1	All
	02493	CORE ASSEMBLY - Radiator (Use with Standard Transmission)	1	"
	93933	RADIATOR ASSEMBLY - Engine (Use with Automatic Transmission)	1	"
	02493	CORE ASSEMBLY - Radiator (Use with Automatic Transmission)	1	"
	02494	BOTTOM TANK - Radiator Oil Cooler (Use with Automatic Transmission)	1	"
22-2	120706	BOLT - Radiator Assembly Mounting (1/4-20 x 1/2 Hex Hd.)	6	"
22-3	174916	LOCKWASHER - Radiator Assembly Mounting (1/4)	6	"
22-4	92453	CAP AND CHAIN ASSEMBLY - Radiator	1	"
22-5	92454	CAP ASSEMBLY - Radiator (4 lbs. pressure)	1	"
22-6	80641	CHAIN ASSEMBLY - Radiator Cap	1	"
22-7	80642	CLAMP - Radiator Cap Chain	1	"

CHECKER MOTORS CORPORATION—PARTS CATALOG

MODELS A9 A9L A10 A10L

COOLING AND HEATING

GROUP 9

<u>Illus. Key</u>	<u>Part No.</u>	<u>Description</u>	<u>Qty. Req'd.</u>	<u>Model</u>
<u>RADIATOR ASSEMBLY (Continued)</u>				
22-8	138473	LOCKWASHER - Radiator Cap Chain Clamp (#6)	1	ALL
22-9	134530	NUT - Radiator Cap Chain Clamp (6-32 Hex)	1	"
22-10	129028	SCREW - Radiator Cap Chain Clamp (6-32 x 5/8)	1	"
22-11	81583	DRAIN COCK - Radiator	1	A9-A9L
	23305	DRAIN COCK - Radiator	1	A10-A10L
22-12	122007	BOLT - Pan Blade Mounting (5/16-18 x 3/4 Hex Hd.)	4	ALL
22-13	120214	LOCKWASHER - Fan Blade Mounting (5/16)	4	"
22-14	80047	BLADE ASSEMBLY - Engine Fan	1	"
22-15	92664	BELT - Fan and Generator Drive (Use with "L" Head Engine)	1	A9L-A10L
	94153	BELT - Fan and Generator Drive (Use with Overhead Valve Engine)	1	A9-A10
	94154	BELT - Power Steering Pump (Use with Overhead Valve Engine)	1	" "
22-16	24690	CLAMP ASSEMBLY - Radiator Hose	4	ALL
22-17	94444	HOSE - Radiator Inlet (Upper) (Use with "L" Head Engine)	1	A9L-A10L
	94397	HOSE - Radiator Inlet (Upper) (Use with Overhead Valve Engine)	1	A9-A10
22-18	94443	HOSE - Radiator Outlet (Lower) (Use with "L" Head Engine)	1	A9L-A10L
	94398	HOSE - Radiator Outlet (Lower) (Use with Overhead Valve Engine)	1	A9-A10
<u>AUTOMATIC TRANSMISSION OIL COOLER LINES</u>				
	95031	TUBE ASSEMBLY - Radiator to Oil Cooler Hose Return	1	ALL
	95030	TUBE ASSEMBLY - Radiator to Oil Cooler Hose Pressure	1	"
	192107	CLIP - Oil Cooler Tube Assembly to Frame (5/16)	4	"
	171104	SCREW - Oil Cooler Tube Assembly to Frame (5/16-18 x 3/4)	3	"
	137422	ELBOW - Oil Cooler Tube Assembly to Transmission (5/16-1/8 MPT 90°)	2	"
	92728	HOSE ASSEMBLY - Oil Cooler Tube Assembly to Transmission	2	"
	116341	ELBOW - Oil Cooler Tube Assembly to Transmission Return (1/8 MPT 45°)	1	"
	442322	CONNECTOR - Oil Cooler Tube Assembly to Transmission Pressure (5/16 - 1/8 MPT)	1	"

CHECKER MOTORS CORPORATION—PARTS CATALOG

MODELS A9 A9L A10 A10L

GROUP 9

COOLING AND HEATING

<u>Illus.</u> <u>Key</u>	<u>Part</u> <u>No.</u>	<u>Description</u>	<u>Qty.</u> <u>Req'd.</u>	<u>Model</u>
<u>HEATER HOSE AND FITTINGS</u>				
	142269	BUSHING - Cylinder Head to Temperature Regulating Valve Pipe Reducing (1/2 x 1/8) (Use with "L" Head Engine)	1	A9L-A10L
	94355	ADAPTER - Cylinder Head to Temperature Regulating Valve (Use with Overhead Valve Engine)	1	A9-A10
	93862	VALVE ASSEMBLY - Temperature Regulating	1	ALL
	94370	HOSE - Cylinder Head to Heater Assembly	1	"
	93290	HOSE - Water Pump to Heater Assembly	1	"
	94329	NIPPLE - Heater Hose to Water Pump (Use with Overhead Valve Engine)	1	A9-A10
	94539	ELBOW - Heater Hose to Water Pump (Use with "L" Head Engine)	1	A9L-A10L
	92818	CLAMP - Heater Hose	4	ALL
	92924	CLIP - Heater Hose to Fender	1	"
	144811	SCREW - Heater Hose to Fender (# 10 x 1/2 Pan Hd.)	1	"
	82144	CLIP - Heater Hose to Dash	1	"